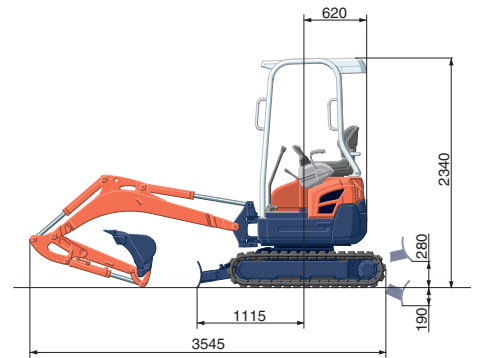
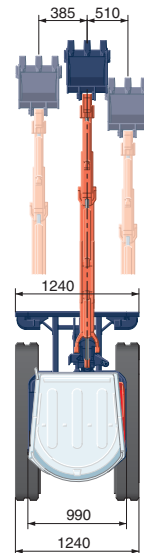
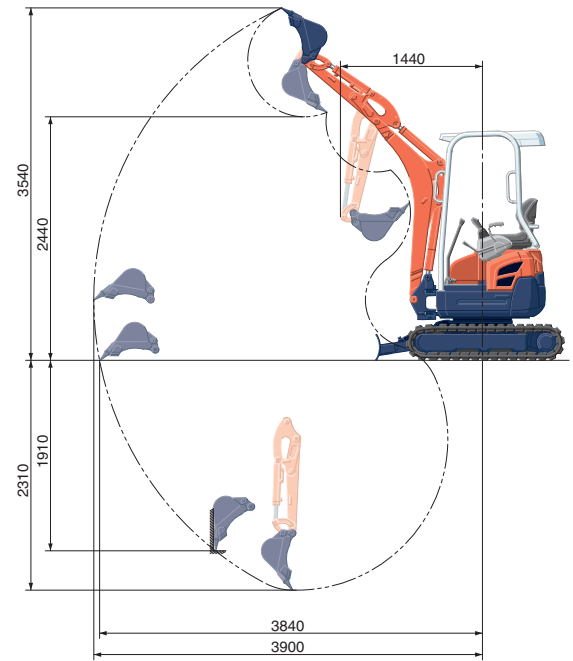


SPECIFICATIONS

			*Rubber shoe type	
Machine weight	kg	1650		
Bucket capacity, std. SAE/CECE	m ³	0.04		
Bucket width	with side teeth	mm	450	
	without side teeth	mm	400	
Engine	Model	D902		
	Type	Water cooled		
	Output ISO9249	PS/rpm	16/2300	
		kW/rpm	11.8/2300	
	Number of cylinders	3		
	Bore × Stroke	mm	72 × 73.6	
Displacement	cc	898		
Overall length	mm	3545		
Overall height	mm	2340		
Swivelling speed	rpm	9.1		
Rubber shoe width	mm	230		
Tumbler distance	mm	1230		
Dozer size (width × height)	mm	990/1240 × 265		
Hydraulic pumps	P1, P2	Variable displacement pump		
	Flow rate	ℓ/min	17.3 + 17.3	
	Hydraulic pressure	MPa (kgf/cm ²)	21.6	
	P3	Gear pump		
	Flow rate	ℓ/min	10.4	
	Hydraulic pressure	MPa (kgf/cm ²)	18.6	
Max. digging force	Arm	kN (kgf)	8.5 (865)	
	Bucket	kN (kgf)	15.2 (1550)	
Boom swing angle (left/right)	deg	65/58		
Auxiliary circuit	Flow rate	ℓ/min	27.7	
	Hydraulic pressure	MPa (kgf/cm ²)	18.6	
Hydraulic reservoir	ℓ	21		
Fuel tank capacity	ℓ	19		
Max. travelling speed	Low	km/h	2.2	
	High	km/h	4.1	
Ground contact pressure	kPa	26.1		
Ground clearance	mm	150		

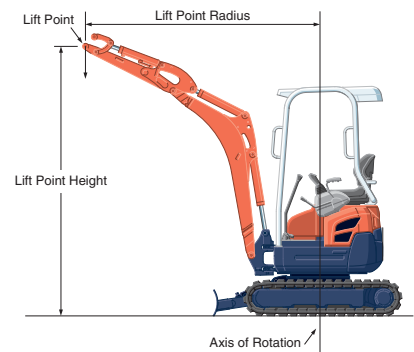
WORKING RANGE



Unit: mm

LIFTING CAPACITY

Lift Point Height	kN (ton)								
	Lift point radius (1.5m)			Lift point radius (2m)			Max. lift point radius (3m)		
	Over-front		Over-side	Over-front		Over-side	Over-front		Over-side
Blade Down	Blade Up	Blade Down		Blade Up	Blade Down		Blade Up		
2m	-	-	-	3.1 (0.32)	3.1 (0.32)	3.1 (0.32)	-	-	-
1.5m	5.2 (0.53)	5.2 (0.53)	5.2 (0.53)	4.5 (0.46)	4.0 (0.41)	3.7 (0.38)	3.6 (0.37)	2.1 (0.22)	2.0 (0.20)
0.5m	-	-	-	6.9 (0.70)	3.6 (0.37)	3.3 (0.34)	3.8 (0.39)	2.0 (0.21)	1.9 (0.19)
0m	-	-	-	6.6 (0.67)	3.5 (0.36)	3.3 (0.33)	3.6 (0.37)	2.0 (0.20)	1.9 (0.19)
-0.5m	8.1 (0.83)	5.5 (0.56)	5.0 (0.51)	5.8 (0.60)	3.5 (0.36)	3.2 (0.33)	3.2 (0.33)	2.0 (0.20)	1.8 (0.19)
-1.5m	5.3 (0.54)	5.3 (0.54)	5.2 (0.53)	3.7 (0.37)	3.6 (0.37)	3.3 (0.34)	-	-	-



Please note:

* Over-side figures shown are with crawler fully extended.

* The lifting capacities are based on ISO 10567 and do not exceed 75% of the static tilt load of the machine or 87% of the hydraulic lifting capacity of the machine.

* The excavator bucket, hook, sling and other lifting accessories are not included on this table.

* Working ranges are with Kubota standard bucket, without quick coupler.

* Specifications are subject to change without notice for purpose of improvement.

★ All images shown are for brochure purposes only.

When operating the excavator, wear clothing and equipment in accordance to local legal and safety regulations.

KUBOTA (U.K.) LTD

Dormer Road, Thame, Oxfordshire,
OX93UN, U.K.

Phone : 01844-268140

F a x : 01844-216685

<http://www.kubota-global.net>